

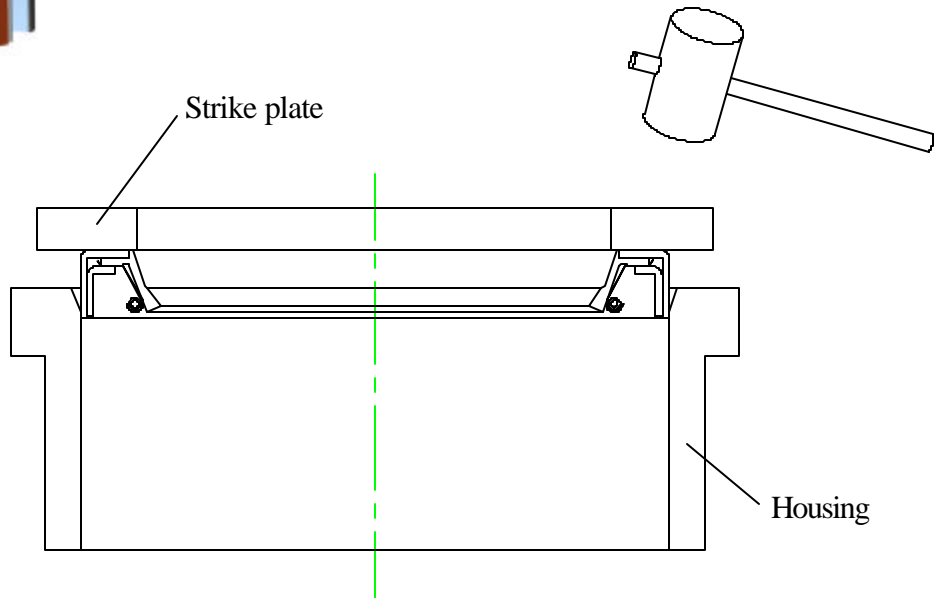
L2ML Rotary Shaft Seal Installation

Installation Guide Lines:

When an rotary shaft seal is being assembled with a hammer (frequently with large seals), this is to be done using a strike plate. The force of the hammer on one spot of the seal results in a shock load that's too high for the seal, risking damage and bending of the seal.



Use a strike plate to assure seal is driven into the housing properly.



Simply pounding the seal into the housing can deform and permanently damage the seal

