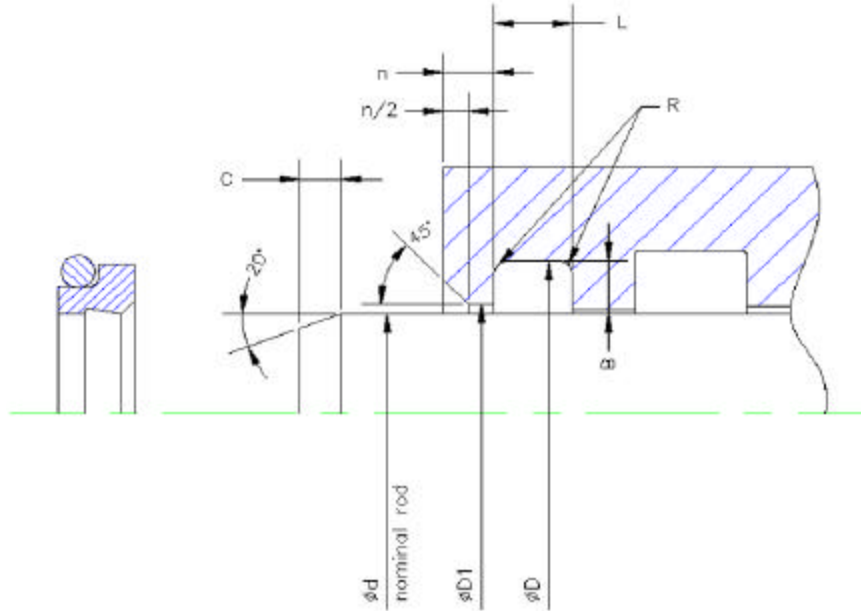


# Heavy Duty Dirt Wiper

## Hardware Specifications

### Type: 315 Series



	Rod Dia d	B	D	D1	L	C	R
Series 1	Up to 1.750"	0.149	Dia d + 0.298	Dia d + 0.040	0.165	0.295	0.016
Series 2	Up to 2.750"	0.173	Dia d + 0.346	Dia d + 0.060	0.248	0.375	0.047
Series 3	Up to 5.500"	0.240	Dia d + 0.480	Dia d + 0.080	0.319	0.500	0.079
Series 4	Up to 15.750"	0.315	Dia d + 0.630	Dia d + 0.080	0.453	0.500	0.079
Series 5	Up to 25.500"	0.472	Dia d + 0.944	Dia d + 0.100	0.610	0.500	0.079
Series 6	Up to 40.00"	0.537	Dia d + 1.074	Dia d + 0.100	0.709	0.625	0.079

### Determination of n:

If no pressure relief port is present between Wiper and Primary seal the dimension N must be large enough to withstand full system pressure. A stress calculation should be carried out to determine this dimension. If you require assistance with this please do not hesitate to call our technical department.

	Rod Dia d	B	n
Series 1	Up to 1.750"	0.149	0.1181
Series 2	Up to 2.750"	0.173	0.1575
Series 3	Up to 5.500"	0.240	0.1575
Series 4	Up to 15.750"	0.315	0.1969
Series 5	Up to 25.500"	0.472	0.2362
Series 6	Up to 40.00"	0.537	0.3150